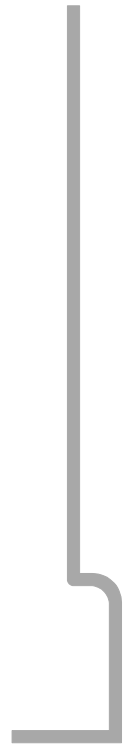
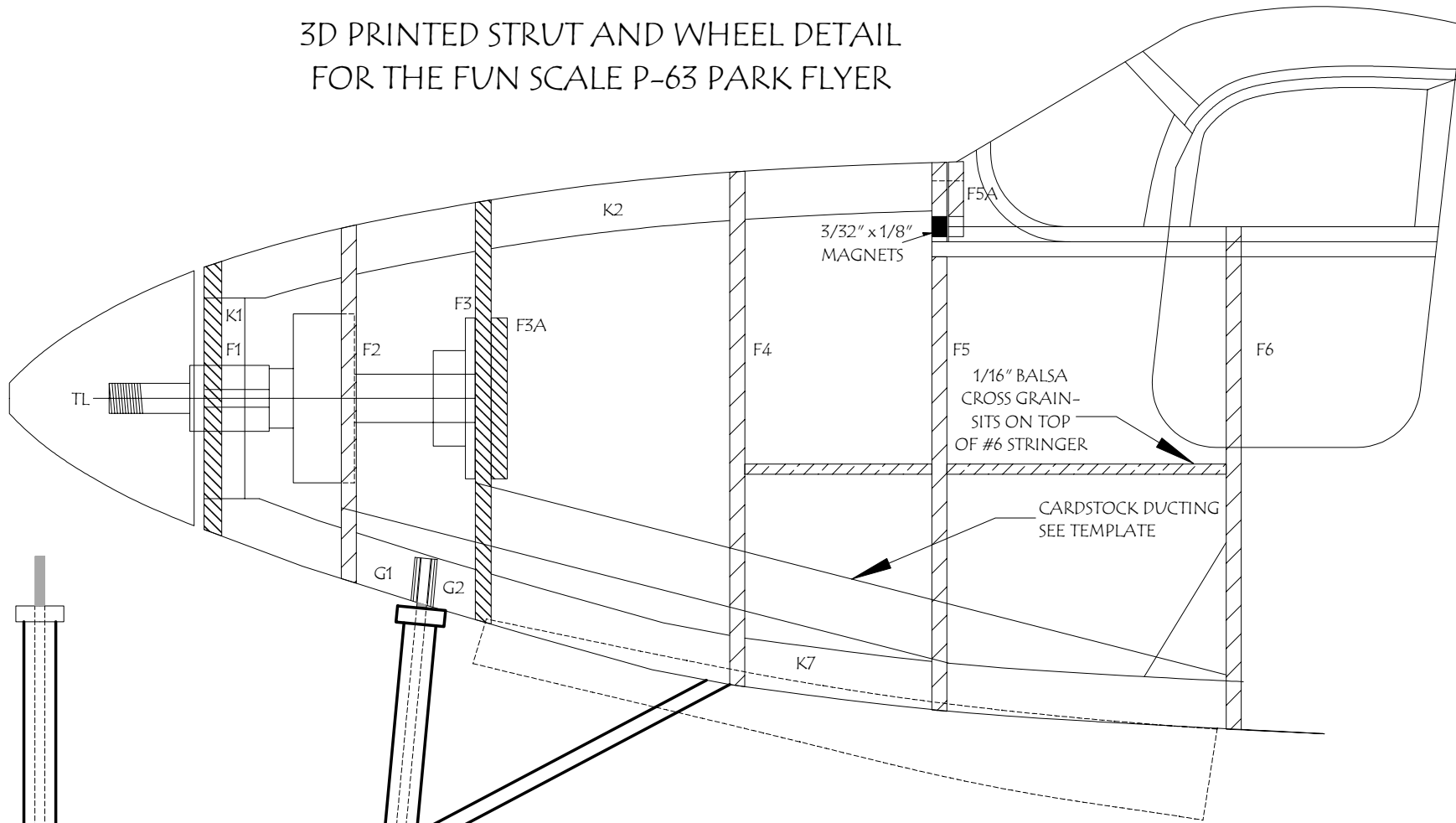
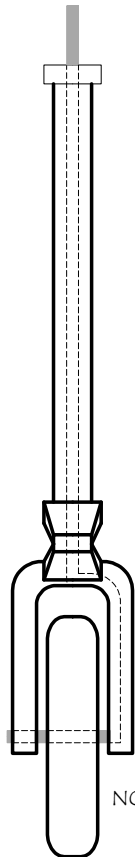


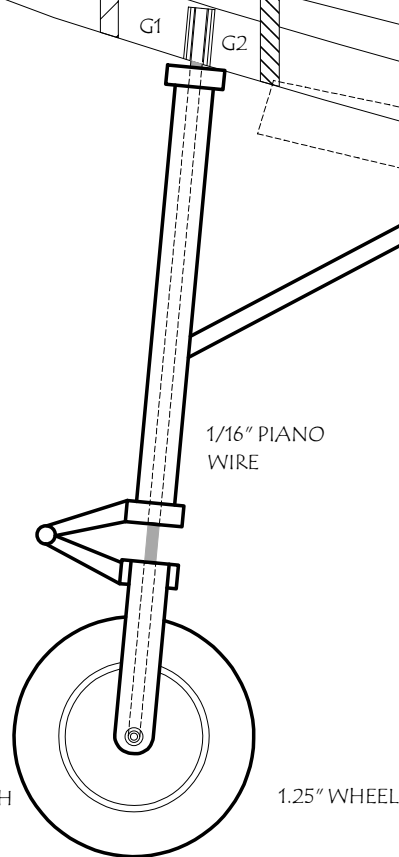
3D PRINTED STRUT AND WHEEL DETAIL FOR THE FUN SCALE P-63 PARK FLYER



STRUT FROM
1/16" WIRE



NOSE WHEEL- SMOOTH
HUB AND TREAD



1.25" WHEEL

ACCESSORIES AVAILABLE FROM RABID MODELS:

1. POWER PACK
2. SPINNER
3. WHEELS
4. STRUT COVERS

FREE DOWNLOADABLE PLANS AND TEMPLATES AVAILABLE AT:
<https://www.modelaviation.com/p63-kingcobra>

SHORT KIT AVAILABLE FROM:
https://manzanolaser.com/Micko_bymfg_41-0-1.html