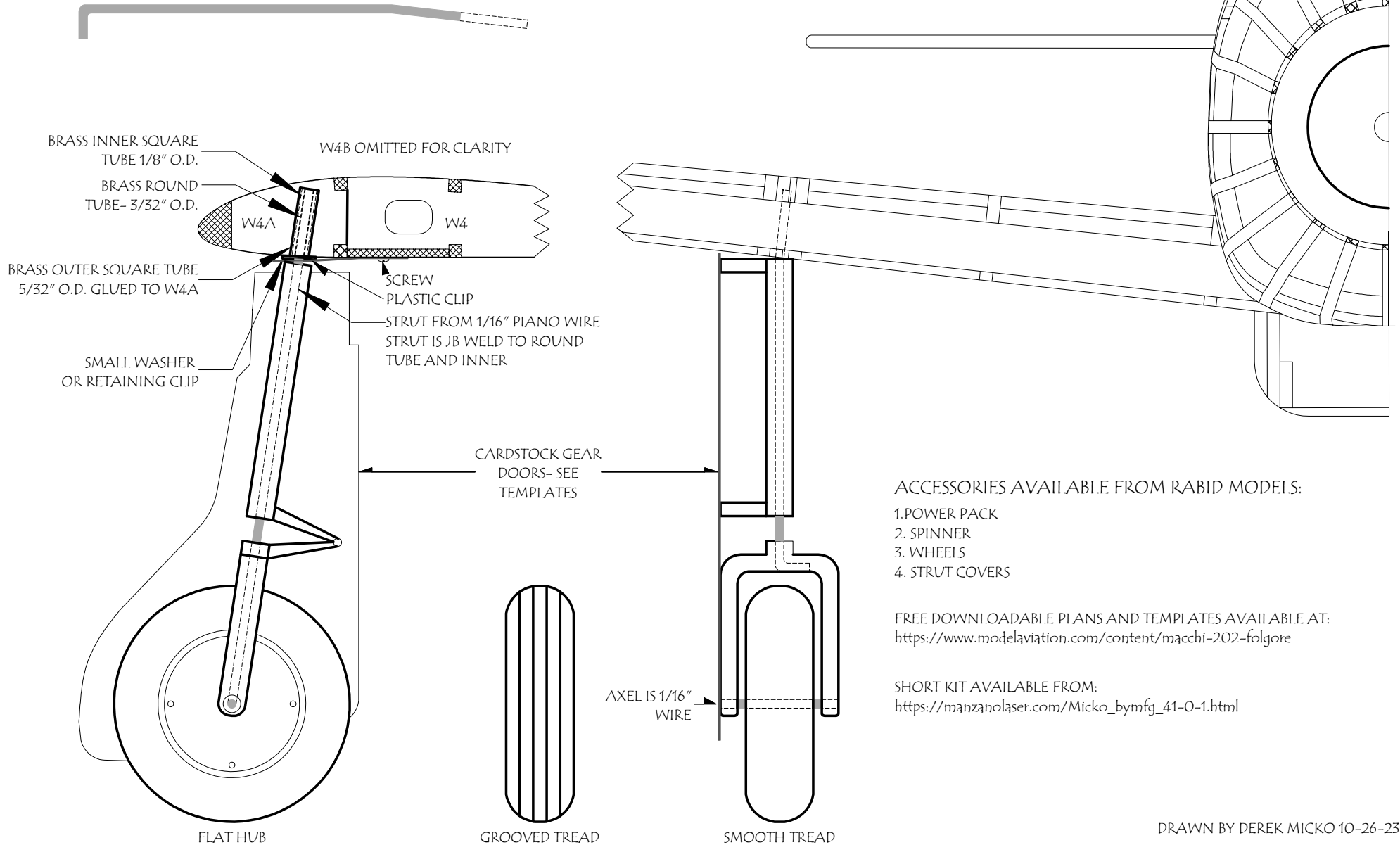


3D PRINTED STRUT AND WHEEL DETAIL FOR THE FUN SCALE MACCHI 202 PARK FLYER

GREY IS FULL STRUT LENGTH- DASHED TO
AID IN MAKING CORRECT ANGLE-
MAKE A LEFT AND RIGHT FROM 1/16" WIRE



ACCESSORIES AVAILABLE FROM RABID MODELS:

1. POWER PACK
2. SPINNER
3. WHEELS
4. STRUT COVERS

FREE DOWNLOADABLE PLANS AND TEMPLATES AVAILABLE AT:
<https://www.modelaviation.com/content/macchi-202-folgore>

SHORT KIT AVAILABLE FROM:
https://manzanolaser.com/Micko_bymfg_41-0-1.html