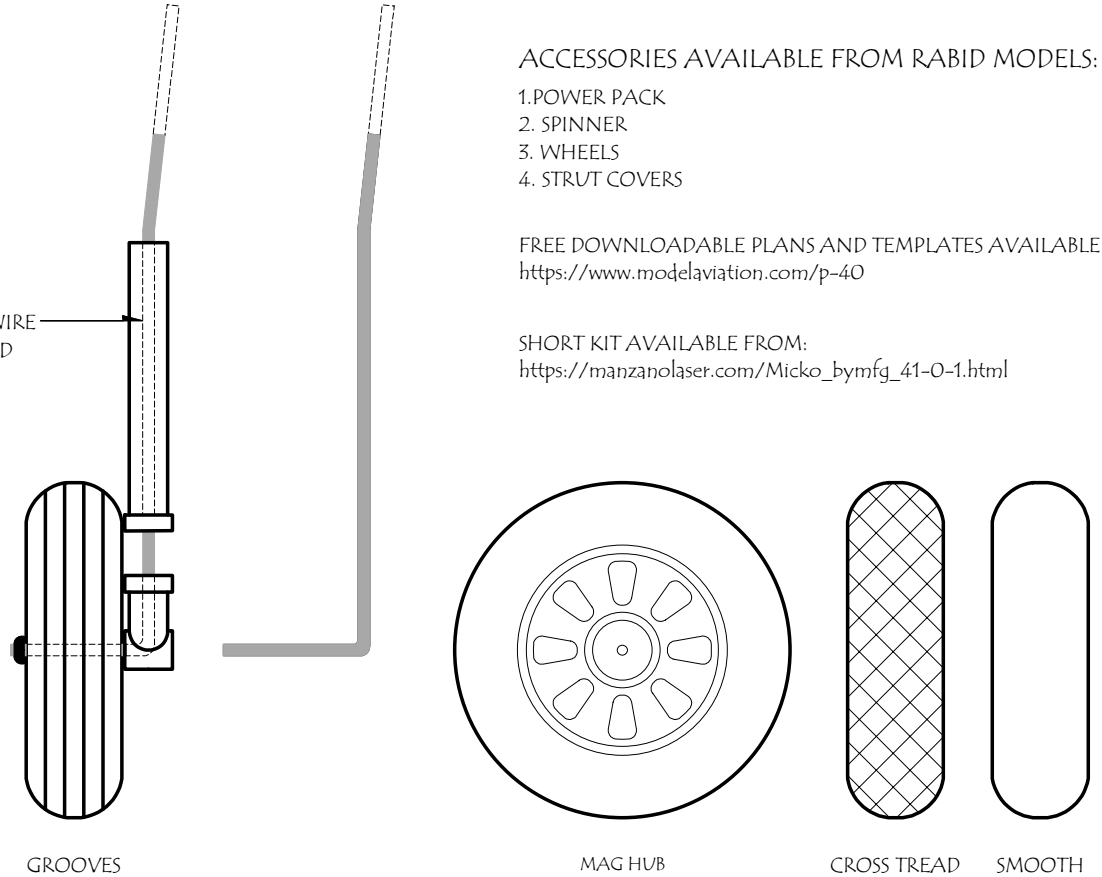
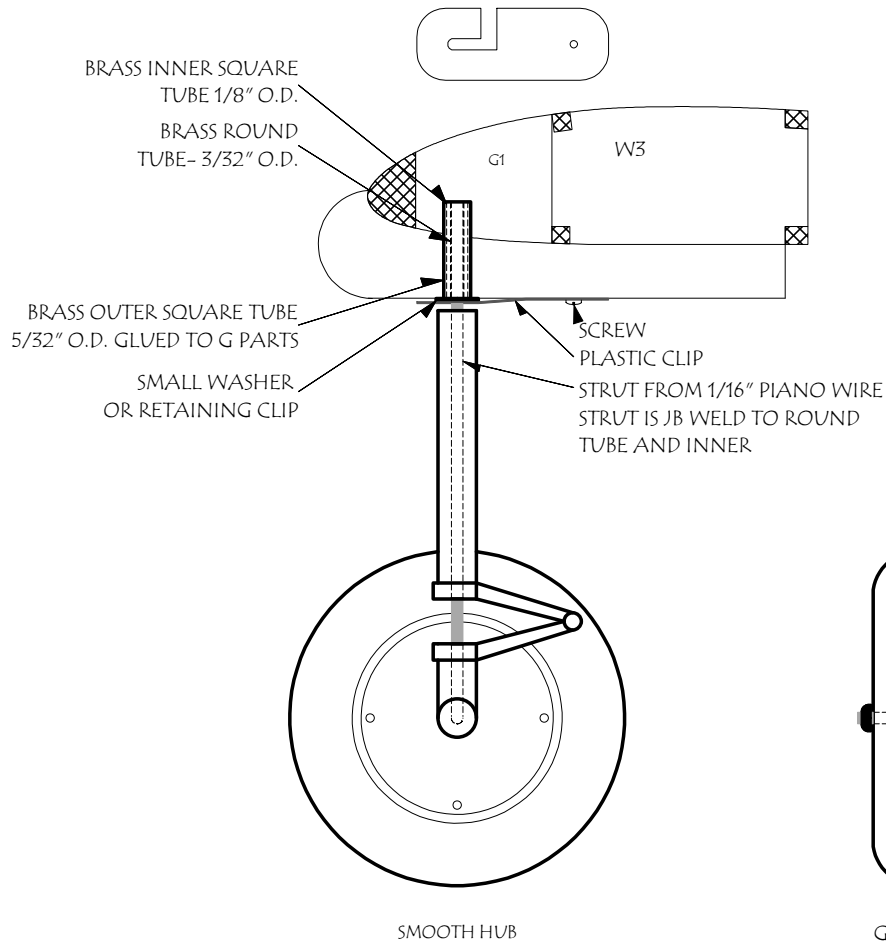


3D PRINTED STRUT AND WHEEL DETAIL FOR THE FUN SCALE P-40C PARK FLYER

GREY IS FULL STRUT LENGTH- DASHED TO
AID IN MAKING CORRECT ANGLE-
MAKE A LEFT AND RIGHT FROM 1/16" WIRE



TIRE/HUB OPTIONS